

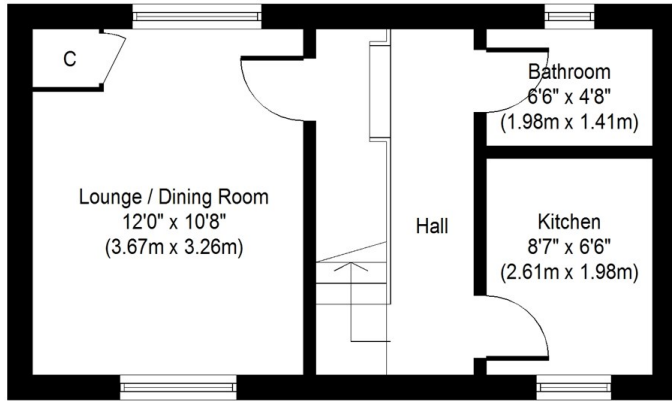


17B CHURCH STREET BISHOP'S STORTFORD, CM23 2LY

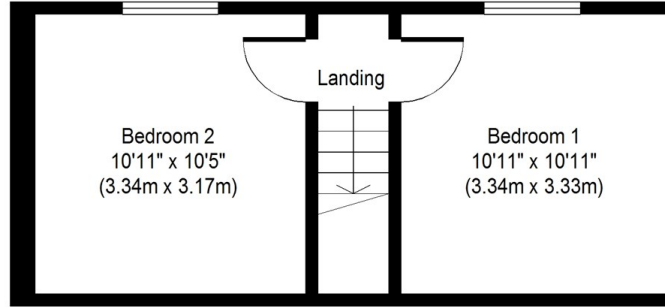
£1,350 PER MONTH

Fantastic town centre apartment. This stunning, character, split level apartment features double bedrooms, a modern decor and a very convenient location.





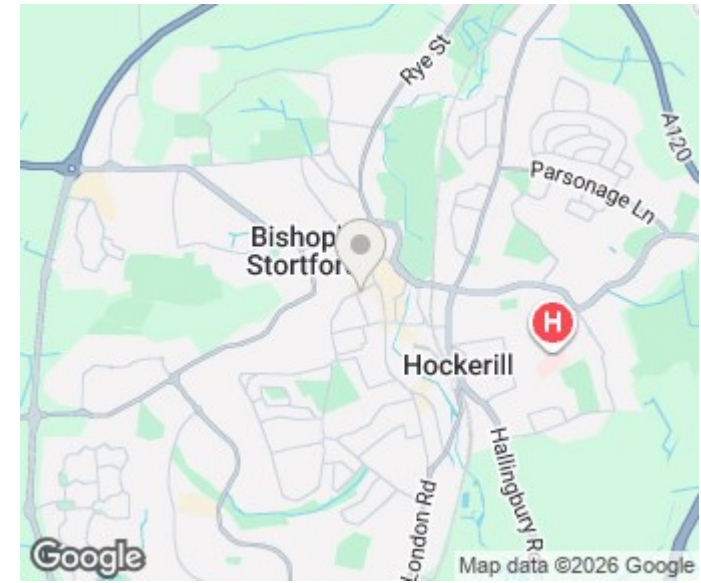
First Floor
Approximate Floor Area
333 Sq. ft.
(30.9 Sq. m.)



Second Floor
Approximate Floor Area
274 Sq. ft.
(25.5 Sq. m.)

Whilst every attempt has been made to ensure the accuracy of the floor plan contained here, measurements of doors, windows, rooms and any other items are approximate and no responsibility is taken for any error, omission, or mis-statement. This plan is for illustrative purposes only and should be used as such by any prospective purchaser or tenant. The services, systems and appliances shown have not been tested and no guarantee as to their operability or efficiency can be given.

Copyright V360 Ltd 2020 | www.houseviz.com



Energy Efficiency Rating		
	Current	Potential
Very energy efficient - lower running costs		
(92 plus) A		
(81-91) B		
(69-80) C		
(55-68) D		
(39-54) E		
(21-38) F		
(1-20) G		
Not energy efficient - higher running costs		
England & Wales	EU Directive 2002/91/EC	

Agents Note: Whilst every care has been taken to prepare these particulars, they are for guidance purposes only. All measurements are approximate and are for general guidance purposes only and whilst every care has been taken to ensure their accuracy, they should not be relied upon and potential buyers/tenants are advised to recheck the measurements

The Personal Property Shop Ltd
 Lettings
 Brook Farm, Braintree Road
 Wethersfield
 Braintree
 Essex
 CM7 4BX

01279 940840
 info@thepersonalpropertyshop.co.uk
 https://personalpropertyshop.co.uk/

